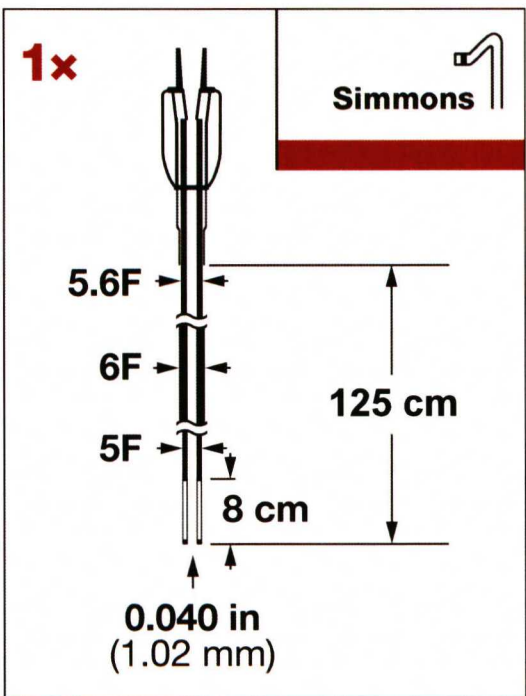


Neuron™

6F

Select Catheter



REF Catalog Number 型号 **PNS6F125SIM**
LOT Lot Number 批号 **F12345**



(01)00815948024038(17)030531(10)F12345

 Use By 使用截止日期 **2003-05-31**

REF PNS6F125SIM **LOT** F12345



(01)00815948024038(17)030531(10)F12345

Penumbra  Neuron 6F Select

REF PNS6F125SIM **LOT** F12345



(01)00815948024038(17)030531(10)F12345

Penumbra  Neuron 6F Select

REF PNS6F125SIM **LOT** F12345



(01)00815948024038(17)030531(10)F12345

Penumbra  Neuron 6F Select

- | | | | |
|---|-----------|--|----------------|
| STERILE | EO | Sterile (ethylene oxide)
灭菌 (环氧乙烷) | Rx Only |
|  | | Nonpyrogenic
无热原 | MD |
|  | | Do not resterilize
切勿重新灭菌 | |
|  | | Single use only. Do not reuse.
仅供一次性使用。切勿重复使用。 | |
|  | | Not made with natural rubber latex
不含天然乳胶 | |
|  | | Attention, see Instructions for Use.
注意, 请参阅使用说明。 | |

 制造商
Manufacturer:
 Penumbra, Inc.
 One Penumbra Place
 Alameda, CA 94502, USA
 Tel: 1.888.272.4606
 1.510.748.3200
 Fax: 1.510.748.3232



EC REP 欧盟授权代表
EU Representative
 Penumbra Europe GmbH
 Am Borsigturm 44
 13507 Berlin, Germany
Penumbra Neuro Australia Pty Ltd
 Suite 3, Level 5, 1 Oxford Street
 Darlinghurst NSW 2010, Australia
 Tel: 1300 817 025
 Fax: 1300 817 026
 Email: order.anz@penumbrainc.com