

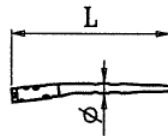



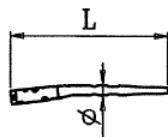



DIPHOS NAIL - Labels


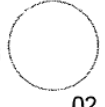
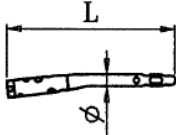

DiPhos Nail Short (Right model)

<p>REF 8730.15.101 LOT 2018 T0001 STERILE R 18S0001 2023-12-31 DIPHOS NAIL SHORT</p> <p>CHiodo DIPHOS CORTO RIGHT - DESTRO</p>  <p>(20)02(240)98730151010(10)18T0001(91)18S0001(92)9140 (01)08033051097769(17)231231</p> <p>LSM-MED S.r.l. Strada Borrana,38 47899 Serravalle - R.S.M.</p>	<p>CE 0426  02</p>  <p>DIPHOS NAIL L. 150 mm Ø 8 mm RIGHT - DX QTY: 1</p> <p>LSM-MED S.r.l. REF 8730.15.101 LOT 2018 T0001 STERILE R 18S0001 Ti6Al4V - CFR PEEK Humeral Nail Chiodo omerale</p> 
--------------------------------------------------------------------------------------------------------------------------------------------------------------------------------------------------------------------------------------------------------------------------------------------------------------------------------------------------------------------------------------------------------	---------------------------------------------------------------------------------------------------------------------------------------------------------------------------------------------------------------------------------------------------------------------------------------------------------------------------------------------------------------------------------------------------------------------------------------------------------------------------------------------------

DiPhos Nail Short (Left model)


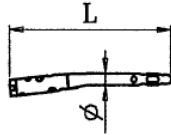



<p>REF 8730.15.100 LOT 2018 T0001 STERILE R 18S0001 2023-12-31 DIPHOS NAIL SHORT</p> <p>CHiodo DIPHOS CORTO LEFT - SINISTRO</p>  <p>(20)02(240)98730151000(10)18T0001(91)18S0001(92)9142 (01)08033051097745(17)231231</p> <p>LSM-MED S.r.l. Strada Borrana,38 47899 Serravalle - R.S.M.</p>	<p>CE 0426  02</p>  <p>DIPHOS NAIL L. 150 mm Ø 8 mm LEFT - SX QTY: 1</p> <p>LSM-MED S.r.l. REF 8730.15.100 LOT 2018 T0001 STERILE R 18S0001 Ti6Al4V - CFR PEEK Humeral Nail Chiodo omerale</p> 
-----------------------------------------------------------------------------------------------------------------------------------------------------------------------------------------------------------------------------------------------------------------------------------------------------------------------------------------------------------------------------------------------------------	------------------------------------------------------------------------------------------------------------------------------------------------------------------------------------------------------------------------------------------------------------------------------------------------------------------------------------------------------------------------------------------------------------------------------------------------------------------------------------------------------

DiPhos Nail Long Ø 7 mm (Right model)


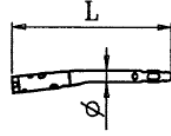



<p>REF 8730.15.008 LOT 2017 T0516 STERILE R 18S4671 2023-12-31 DIPHOS NAIL LONG</p> <p>CHiodo LUNGO DIPHOS RIGHT - DESTRO</p>  <p>(20)02(240)98730150080(10)17T0516(91)18S4671(92)7760 (01)08033051098674(17)231231</p> <p>LSM-MED S.r.l. Strada Borrana,38 47899 Serravalle - R.S.M.</p>	<p>CE 0426  02</p>  <p>DIPHOS NAIL L. 200 mm Ø 7 mm RIGHT - DX QTY: 1</p> <p>LSM-MED S.r.l. REF 8730.15.008 LOT 2017 T0516 STERILE R 18S4671 Ti6Al4V - CFR PEEK Humeral Nail Chiodo omerale</p> 
---------------------------------------------------------------------------------------------------------------------------------------------------------------------------------------------------------------------------------------------------------------------------------------------------------------------------------------------------------------------------------------------------------	---------------------------------------------------------------------------------------------------------------------------------------------------------------------------------------------------------------------------------------------------------------------------------------------------------------------------------------------------------------------------------------------------------------------------------------------------------------------------------------------------------

DIPHOS NAIL - Labels


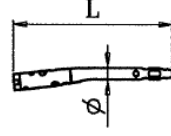



DiPhos Nail Long Ø 7 mm (Left model)

<p>REF 8730.15.002 LOT 2017 T0510 STERILE R 18S4668 2023-12-31 DIPHOS NAIL LONG</p>	<p>CE 0426  02</p>		<p>DIPHOS NAIL L. 200 mm Ø 7 mm LEFT - SX QTY: 1</p>
<p>CHIODO LUNGO DIPHOS LEFT - SINISTRO</p>		<p>LSM-MED S.r.l.</p>	
		<p>REF 8730.15.002</p>	
<p>(20)02(240)98730150020(10)17T0510(91)18S4668(92)7761</p>		<p>LOT 2017 T0510 STERILE R 18S4668</p>	
		<p>Ti6Al4V - CFR PEEK Humeral Nail Chiodo omerale</p>	
<p>(01)08033051097752(17)231231</p>			
<p>LSM-MED S.r.l. Strada Borrana,38 47899 Serravalle - R.S.M.</p>			

DiPhos Nail Long Ø 8 mm (Right model)

<p>REF 8730.15.020 LOT 2017 T0528 STERILE R 18S4678 2023-12-31 DIPHOS NAIL LONG</p>	<p>CE 0426  02</p>		<p>DIPHOS NAIL L. 200 mm Ø 8 mm RIGHT - DX QTY: 1</p>
<p>CHIODO LUNGO DIPHOS RIGHT - DESTRO</p>		<p>LSM-MED S.r.l.</p>	
		<p>REF 8730.15.020</p>	
<p>(20)02(240)98730150200(10)17T0528(91)18S4678(92)7762</p>		<p>LOT 2017 T0528 STERILE R 18S4678</p>	
		<p>Ti6Al4V - CFR PEEK Humeral Nail Chiodo omerale</p>	
<p>(01)08033051098797(17)231231</p>			
<p>LSM-MED S.r.l. Strada Borrana,38 47899 Serravalle - R.S.M.</p>			

DiPhos Nail Long Ø 8 mm (Left model)

<p>REF 8730.15.014 LOT 2017 T0522 STERILE R 18S4675 2023-12-31 DIPHOS NAIL LONG</p>	<p>CE 0426  02</p>		<p>DIPHOS NAIL L. 200 mm Ø 8 mm LEFT - SX QTY: 1</p>
<p>CHIODO LUNGO DIPHOS LEFT - SINISTRO</p>		<p>LSM-MED S.r.l.</p>	
		<p>REF 8730.15.014</p>	
<p>(20)02(240)98730150140(10)17T0522(91)18S4675(92)7763</p>		<p>LOT 2017 T0522 STERILE R 18S4675</p>	
		<p>Ti6Al4V - CFR PEEK Humeral Nail Chiodo omerale</p>	
<p>(01)08033051098735(17)231231</p>			
<p>LSM-MED S.r.l. Strada Borrana,38 47899 Serravalle - R.S.M.</p>			

DIPHOS NAIL - Labels

Ø 4.5 mm proximal cancellous screw

<p>REF 8990.15.250.S CE 0426 </p> <p>LOT 2018 T0001</p> <p>STERILE R 18S0001 2023-12-31</p> <p>PROXIMAL CANCELLOUS SCREW</p> <p>VITE DA SPONGIOSA PROSSIMALE Ø 4.5 x 25 mm</p> <p>(20)00(240)9899015250S(10)18T0001(91)18S0001(92)9139</p> <p>(01)08033051097790(17)231231</p> <p>LSM-MED S.r.l. Strada Borrana,38 47899 Serravalle - R.S.M.</p>	<div style="text-align: center;"> </div> <p>DIPHOS NAIL L. 25 mm Ø 4.5 mm</p> <p>QTY: 1</p> <p>LSM-MED S.r.l.</p> <p>REF 8990.15.250.S</p> <p>LOT 2018 T0001 STERILE R 18S0001</p> <p>Ti6Al4V ISO 5832-3 Cancellous Screw Vite da spongiosa</p>
---------------------------------------------------------------------------------------------------------------------------------------------------------------------------------------------------------------------------------------------------------------------------------------------------------------------------------------------------------------------------------	-----------------------------------------------------------------------------------------------------------------------------------------------------------------------------------------------------------------------------------------------------------------------------

Ø 3.5 mm distal cortical screw

<p>REF 8980.15.022.S CE 0426 </p> <p>LOT 2018 T0001</p> <p>STERILE R 18S0001 2023-12-31</p> <p>DISTAL CORTICAL SCREW</p> <p>VITE DISTALE DA CORTICALE Ø 3.5 x 22 mm</p> <p>(20)00(240)9898015022S(10)18T0001(91)18S0001(92)9143</p> <p>(01)08033051097950(17)231231</p> <p>LSM-MED S.r.l. Strada Borrana,38 47899 Serravalle - R.S.M.</p>	<div style="text-align: center;"> </div> <p>DIPHOS NAIL L. 22 mm Ø 3.5 mm</p> <p>QTY: 1</p> <p>LSM-MED S.r.l.</p> <p>REF 8980.15.022.S</p> <p>LOT 2018 T0001 STERILE R 18S0001</p> <p>Ti6Al4V ISO 5832-3 Cortical Bone Screw Vite da Corticale</p>
--------------------------------------------------------------------------------------------------------------------------------------------------------------------------------------------------------------------------------------------------------------------------------------------------------------------------------------------------------------------------	--------------------------------------------------------------------------------------------------------------------------------------------------------------------------------------------------------------------------------------------------------------------------------

Plug

<p>REF 8731.15.100 CE 0426 </p> <p>LOT 2017 A0465</p> <p>STERILE R 18S4683 2023-12-31</p> <p>LOCKING PLUG</p> <p>TAPPO DI CHIUSURA OFFSET 0 mm</p> <p>(20)00(240)98731151000(10)17A0465(91)18S4683(92)7764</p> <p>(01)08033051098582(17)231231</p> <p>LSM-MED S.r.l. Strada Borrana,38 47899 Serravalle - R.S.M.</p>	<div style="text-align: center;"> </div> <p>DIPHOS NAIL OFFSET 0 mm</p> <p>QTY: 1</p> <p>LSM-MED S.r.l.</p> <p>REF 8731.15.100</p> <p>LOT 2017 A0465 STERILE R 18S4683</p> <p>Ti6Al4V ISO 5832-3 Screw Plug Tappo di Chiusura</p>
-----------------------------------------------------------------------------------------------------------------------------------------------------------------------------------------------------------------------------------------------------------------------------------------------------------------------------------------------------	-----------------------------------------------------------------------------------------------------------------------------------------------------------------------------------------------------------------------------------------------------------