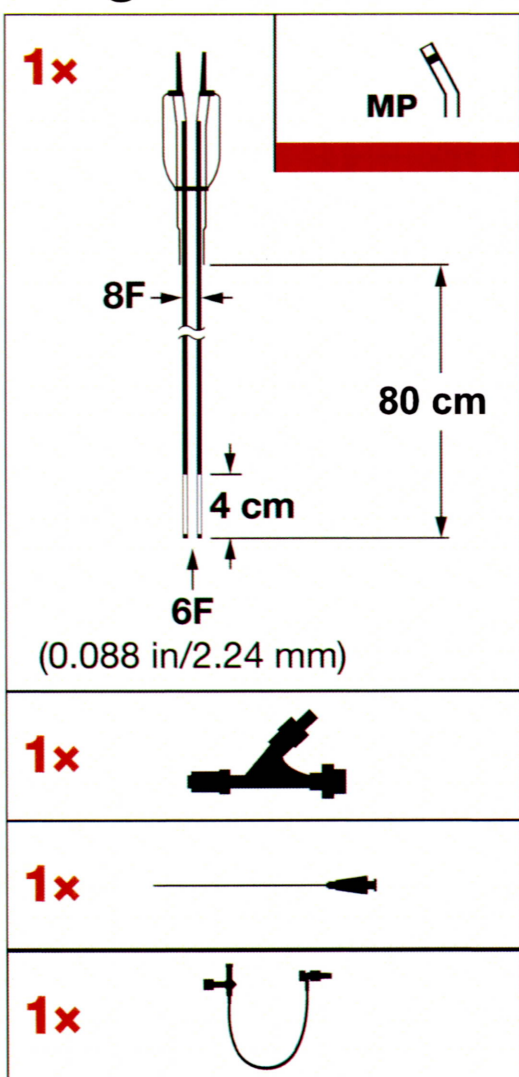


NeuronTM MAX

6F 088

Long Sheath



REF Catalog Number 型号 **PNML6F088804M**

LOT Lot Number 批号 **F12345**



(01)00814548012209(17)030531(10)F12345

 Use By 使用截止日期 **2003-05-31**

REF PNML6F088804M **LOT** F12345



(01)00814548012209(17)030531(10)F12345

Penumbra  Neuron MAX 6F 088 Sheath

REF PNML6F088804M **LOT** F12345



(01)00814548012209(17)030531(10)F12345

Penumbra  Neuron MAX 6F 088 Sheath


REF PNML6F088804M **LOT** F12345





(01)00814548012209(17)030531(10)F12345


Penumbra  Neuron MAX 6F 088 Sheath


STERILE **EO** Sterile (ethylene oxide) 灭菌 (环氧乙烷) **Rx Only**

 Nonpyrogenic 无热原 **MD**

 Do not resterilize 切勿重新灭菌

 Single use only. Do not reuse. 仅供一次性使用。切勿重复使用。

 Not made with natural rubber latex 不含天然乳胶

 Attention, see Instructions for Use. 注意, 请参阅使用说明。

 制造商
Manufacturer:
 Penumbra, Inc.
 One Penumbra Place
 Alameda, CA 94502, USA
 Tel: 1.888.272.4606
 1.510.748.3200
 Fax: 1.510.748.3232

EC REP 欧盟授权代表
EU Representative
 Penumbra Europe GmbH
 Am Borsigturm 44
 13507 Berlin, Germany
Penumbra Neuro Australia Pty Ltd
 Suite 3, Level 5, 1 Oxford Street
 Darlinghurst NSW 2010, Australia
 Tel: 1300 817 025
 Fax: 1300 817 026
 Email: order.anz@penumbrainc.com

 0050